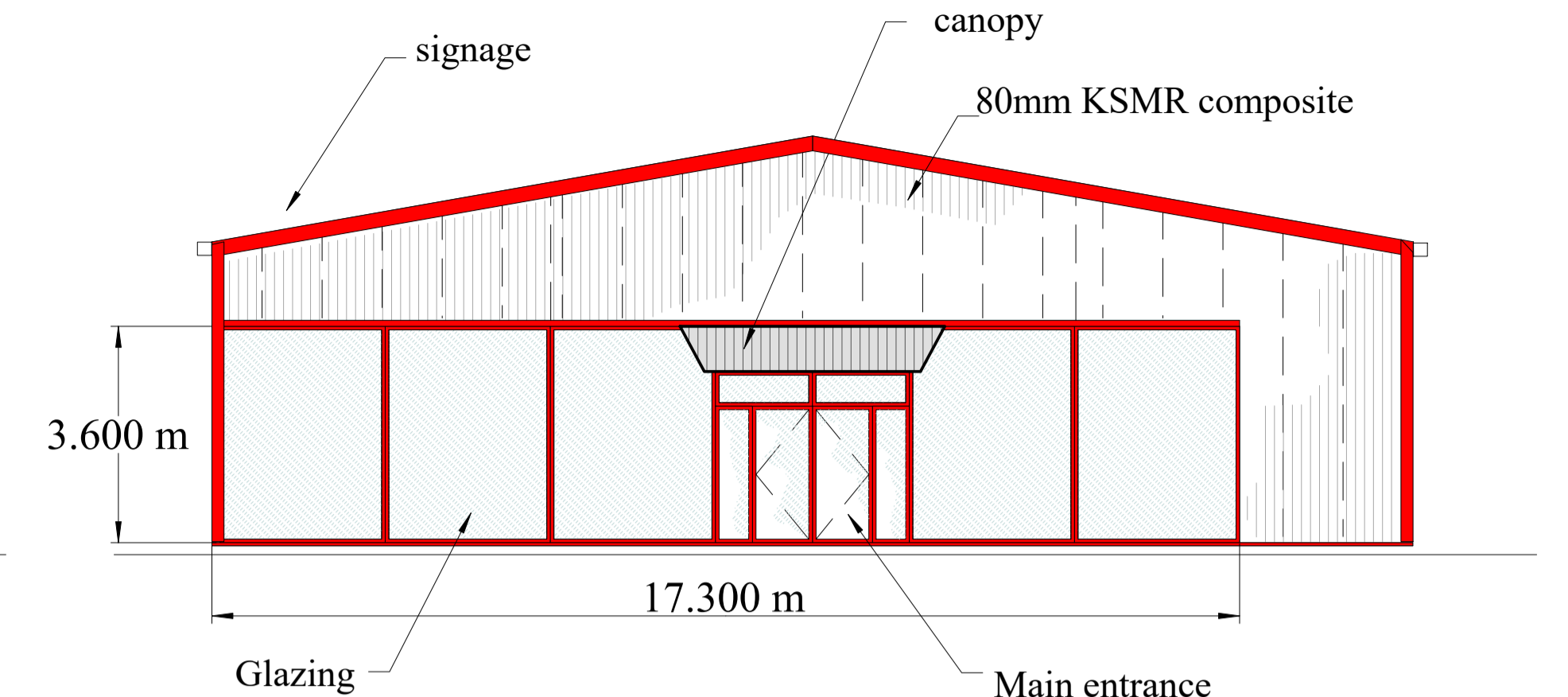
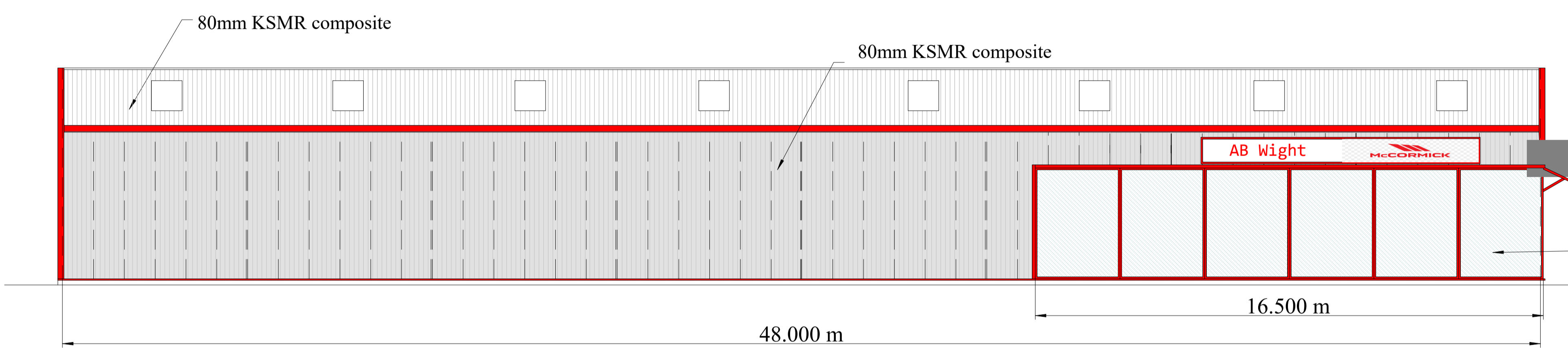


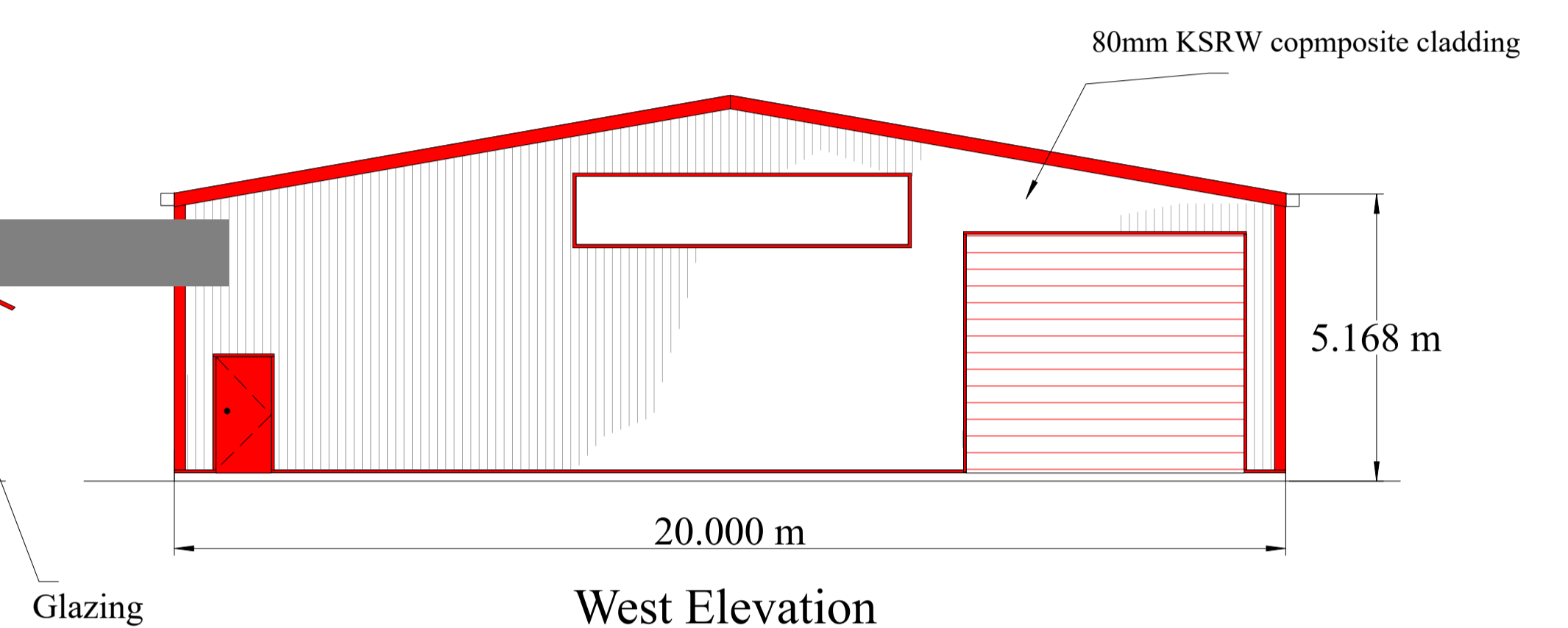
5.0 x 4.3m insulated door  
North Elevation



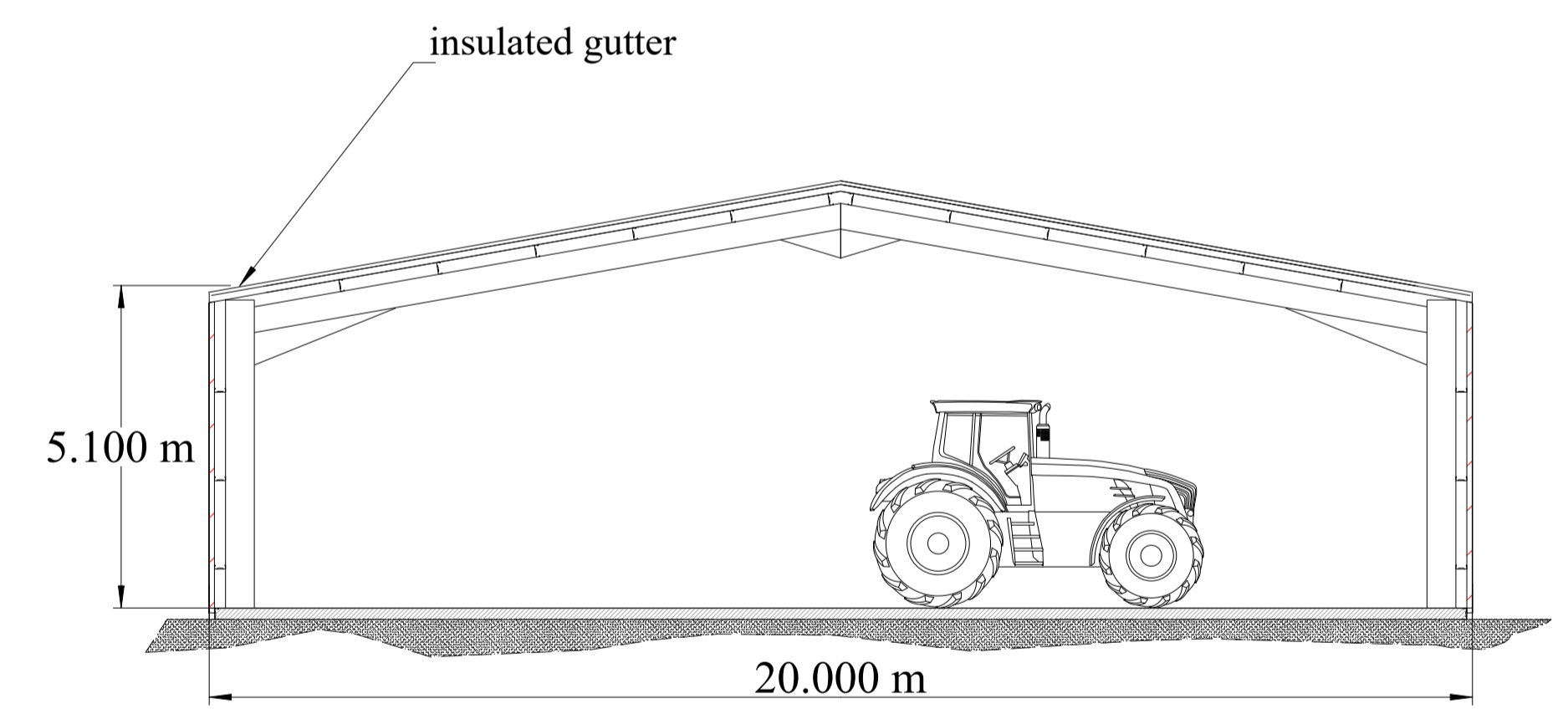
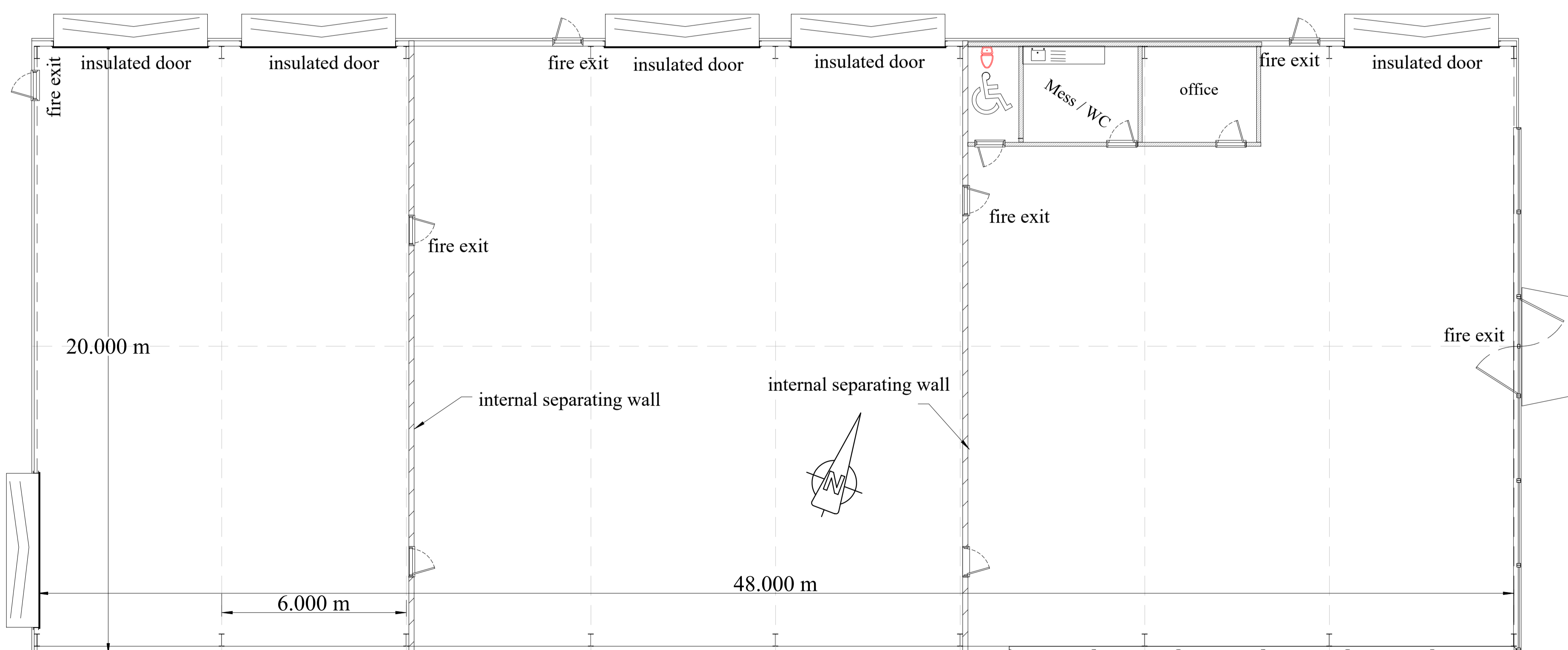
East Elevation



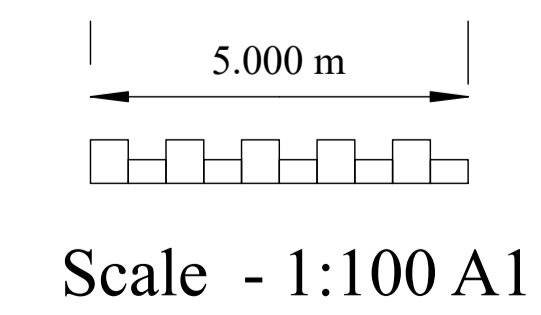
South Elevation



West Elevation



Cross Section



Proposed building	
A Wight Charlesfield St Boswells Roxburghshire	
Drawing No.01B	Drawn by - BMS.
Date - 4.3.20	
Amended 16.11.20	
Scale - 1:100	
John Thorburn & Sons LTD. Station Works Duns Berwickshire TD11 3EJ Tel. 01361 883245 Fax. 01361 883637	

